



PV String Inverter PV Storage Inverter



AforeUK Ltd.

Unit 6 The Maltsters, Wetmore Road
Burton on Trent DE14 1LS

T 01283 845039

W www.aforeuk.com

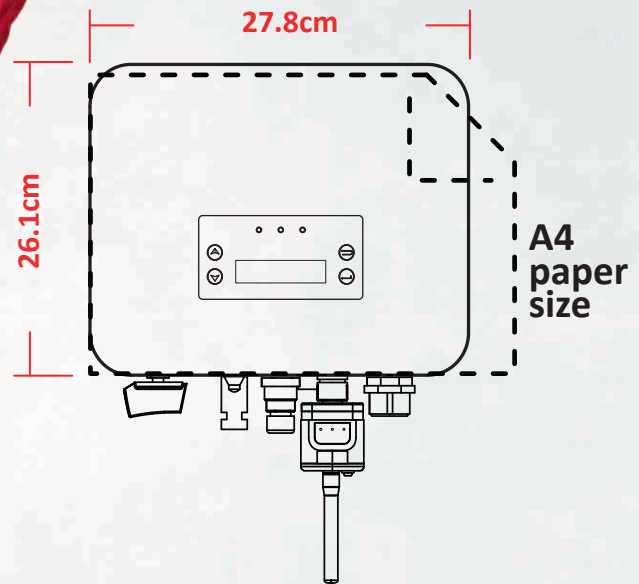


E info@aforeuk.com

Residential HNS series

HNS-TL1

1-3 kW



The Afore HNS Series Single-phase inverters are designed for residential PV system applications, rating from 1kW to 3kW. All models have unibody housings with aluminum structure which is anodized, increasing durability and effectively prevents corrosion. The unibody housing can ensure efficient heat dissipation, which significantly improves the reliability and extends the life of the inverters.

The inverter menu is activated by sensor touch buttons. Communication implements are via the Wi-Fi module (can be changed to Ethernet / GPRS). Check the system status anytime and anywhere via online portal or APP.



ANTI-FLOW
Anti-Feed-in Function



PV OVERSIZE
Max. 1.5 time
PV Oversize Capacity



PROTECTION
Multiple intelligent
Protections



SMART
Smart IV Curve Scanning



Wi-Fi
Wi-Fi Standard
Ethernet/GPRS Optional



CONFIGURATION
Quick & Easy
Config. via Wi-Fi



MODBUS
MODBUS
Communication Ready

MPPT efficiency > 99.9%



No fans design

Compact and light body design



Quick and easy installation

Active and reactive power compensation, adjust power factor



AC output 1.1x continuous operation

PV Input Data	HNS1000TL-1	HNS1500TL-1	HNS2000TL-1	HNS2500TL-1	HNS3000TL-1
Max. DC Power (W)	1500	2250	3000	3750	4200
Max. DC Voltage (V)	500	500	500	500	500
MPPT Voltage Range (V)	50-500	50-500	50-500	50-500	50-500
MPPT Full Power Voltage Range (V)	70-500	110-500	145-500	180-500	220-500
Rated Input Voltage (V)	360				
Start-up Voltage (V)	50				
Max. Input Current (A)	14				
Max. Short Current (A)	18				
No. of MPP Tracker / No. of PV String	1/1				
Input Connector Type	MC4				
AC Output Data	HNS1000TL-1	HNS1500TL-1	HNS2000TL-1	HNS2500TL-1	HNS3000TL-1
Max. Output Power (W)	1100	1650	2200	2750	3300
Nominal Output Power (W)	1000	1500	2000	2500	3000
Max. Output Current (A)	6	9	12	13	15
Nominal Output Voltage (V)	L/N/PE, 220Vac, 230Vac, 240Vac				
Grid Voltage Range	180Vac-276Vac (According to local standard)				
Nominal Output Frequency (Hz)	50/60				
Grid Frequency Range	45-55Hz/54-66Hz (According to local standard)				
Output Power Factor	1 default (adjustable from 0.8 leading to 0.8 lagging)				
Output Current THD	<3%				
Efficiency	HNS1000TL-1	HNS1500TL-1	HNS2000TL-1	HNS2500TL-1	HNS3000TL-1
Max. Efficiency	97.50%	97.80%	98.10%	98.10%	98.13%
Euro Efficiency	96.60%	96.70%	96.80%	97.23%	97.56%
Protection	HNS1000TL-1	HNS1500TL-1	HNS2000TL-1	HNS2500TL-1	HNS3000TL-1
PV Reverse Polarity Protection	YES				
PV Insulation Resistance Detection	YES				
AC Short Circuit Protection	YES				
AC Over Current Protection	YES				
AC Over Voltage Protection	YES				
Anti-Islanding Protection	YES				
Residual Current Detection	YES				
Over Temperature Protection	YES				
Integrated DC switch	YES				
Surge Protection	Integrated (Type III)				
Smart IV Curve Scanning	YES				
Quick Arc Fault Circuit Interruption	Optional				
General Data	HNS1000TL-1	HNS1500TL-1	HNS2000TL-1	HNS2500TL-1	HNS3000TL-1
Dimensions (H x W x D, mm)	260 x 280 x 116				
Weight (kg)	6				
Protection Degree	IP65				
Enclosure Material	Aluminum				
Ambient Temperature Range (°C)	-25 to 60				
Humidity Range	0-100%				
Topology	Transformerless				
Communication Interface	RS485 / WiFi / Wire Ethernet / GPRS (optional)				
Cooling Concept	Convection				
Noise Emission (db)	<21				
Night Power Consumption (W)	<0.2		<1		
Max. Operation Altitude (m)	4000				
Certifications and Standards	HNS1000TL-1	HNS1500TL-1	HNS2000TL-1	HNS2500TL-1	HNS3000TL-1
EMC Standard	EN/IEC 61000-6-2, EN/IEC 61000-6-3, EN61000-3-2, EN61000-3-3, EN61000-3-11, EN61000-3-12				
Safety Standard	IEC 60068, UL1741, EN62109				
Grid-connection	IEEE1547, CSA C22, EN50549, VDE4105, VDE0126, RD1699, ABNT NBR16149 & 16150, AS4777.2, NB/T32004, G98/G99, IEC61727				

Residential HNS series

HNS-TL

3-6 kW



The Afore HNS Series Single-phase inverters are designed for residential PV system applications, rating from 3kW to 6kW. All models have unibody housings with aluminum structure which is anodized, increasing durability and effectively prevents corrosion. Equipped with external inductors, the unibody housings can ensure efficient heat dissipation, which significantly improves the reliability and extends the life of the inverters.

The inverter menu is activated by sensor touch buttons. Communication implements are via the Wi-Fi module (can be changed to Ethernet / GPRS). Check the system status anytime and anywhere via online portal or APP.



ANTI-FLOW
Anti-Feed-in Function



PV OVERSIZE
Max. 1.5 time
PV Oversize Capacity



PROTECTION
Multiple intelligent
Protections



SMART
Smart IV Curve Scanning



Wi-Fi
Wi-Fi Standard
Ethernet/GPRS Optional



CONFIGURATION
Quick & Easy
Config. via Wi-Fi



MODBUS
MODBUS
Communication Ready

MPPT efficiency > 99.9%



Two MPPT design



Active and reactive power compensation, adjust power factor



No fans design



Quick and easy installation



High-quality power output and low THDI

PV Input Data	HNS3000TL	HNS3600TL	HNS4000TL	HNS5000TL	HNS6000TL
Max. DC Power (W)	4500	5400	6000	7000	8400
Max. DC Voltage (V)	600	600	600	600	600
MPPT Voltage Range (V)	70-550	70-550	70-550	70-550	70-550
MPPT Full Power Voltage Range (V)	110-550	130-550	145-550	180-550	220-550
Rated Input Voltage (V)	360				
Start-up Voltage (V)	70				
Max. Input Current (A)	14 x 2				
Max. Short Current (A)	18 x 2				
No. of MPP Tracker / No. of PV String	2/2				
Input Connector Type	MC4				
AC Output Data	HNS3000TL	HNS3600TL	HNS4000TL	HNS5000TL	HNS6000TL
Max. Output Power (W)	3300	3960	4400	5500	6600
Nominal Output Power (W)	3000	3600	4000	5000	6000
Max. Output Current (A)	15	17.5	20	24	28.7
Nominal Output Voltage (V)	L/N/PE, 220Vac, 230Vac, 240Vac				
Grid Voltage Range	180Vac-276Vac (According to local standard)				
Nominal Output Frequency (Hz)	50/60				
Grid Frequency Range	45-55Hz/54-66Hz (According to local standard)				
Output Power Factor	1 default (adjustable from 0.8 leading to 0.8 lagging)				
Output Current THD	<3%				
Efficiency	HNS3000TL	HNS3600TL	HNS4000TL	HNS5000TL	HNS6000TL
Max. Efficiency	98.20%	98.20%	98.20%	98.20%	98.20%
Euro Efficiency	97.80%	97.82%	97.85%	97.90%	97.92%
Protection	HNS3000TL	HNS3600TL	HNS4000TL	HNS5000TL	HNS6000TL
PV Reverse Polarity Protection				YES	
PV Insulation Resistance Detection				YES	
AC Short Circuit Protection				YES	
AC Over Current Protection				YES	
AC Over Voltage Protection				YES	
Anti-Islanding Protection				YES	
Residual Current Detection				YES	
Over Temperature Protection				YES	
Integrated DC switch				YES	
Surge Protection				Integrated (Type III)	
Smart IV Curve Scanning				YES	
Quick Arc Fault Circuit Interruption				Optional	
General Data	HNS3000TL	HNS3600TL	HNS4000TL	HNS5000TL	HNS6000TL
Dimensions (H x W x D, mm)	370 x 350 x 142				
Weight (kg)	11				
Protection Degree	IP65				
Enclosure Material	Aluminum				
Ambient Temperature Range (°C)	-25 to 60				
Humidity Range	0-100%				
Topology	Transformerless				
Communication Interface	RS485 / WiFi / Wire Ethernet / GPRS (optional)				
Cooling Concept	Convection				
Noise Emission (db)	<28				
Night Power Consumption (W)	<1				
Max. Operation Altitude (m)	4000				
Certifications and Standards	HNS3000TL	HNS3600TL	HNS4000TL	HNS5000TL	HNS6000TL
EMC Standard	EN/IEC 61000-6-2, EN/IEC 61000-6-3, EN61000-3-2, EN61000-3-3, EN61000-3-11, EN61000-3-12				
Safety Standard	IEC 60068, UL1741, EN62109				
Grid-connection	IEEE1547, CSA C22, EN50549, VDE4105, VDE0126, RD1699, ABNT NBR16149 & 16150, AS4777.2, NB/T32004, G98/G99, IEC61727				

Residential HNS series

HNS-TL

7-10 kW



The Afore HNS Series Single-phase inverters are designed for residential PV system applications, rating from 7kW to 10kW. All models have unibody housings with aluminum structure which is anodized, increasing durability and effectively prevents corrosion. Equipped with external inductors, the unibody housings can ensure efficient heat dissipation, which significantly improves the reliability and extends the life of the inverters.

The inverter menu is activated by sensor touch buttons. Communication implements are via the Wi-Fi module (can be changed to Ethernet / GPRS). Check the system status anytime and anywhere via online portal or APP.



ANTI-FLOW
Anti-Feed-in Function



PV OVERSIZE
Max. 1.5 time
PV Oversize Capacity



PROTECTION
Multiple intelligent
Protections



SMART
Smart IV Curve Scanning



Wi-Fi
Wi-Fi Standard
Ethernet/GPRS Optional



CONFIGURATION
Quick & Easy
Config. via Wi-Fi



MODBUS
MODBUS
Communication Ready

MPPT efficiency > 99.9%



Two MPPT design



Active and reactive power compensation, adjust power factor



No fans design



Quick and easy installation



High-quality power output and low THDI

PV Input Data	HNS7000TL	HNS8000TL	HNS9000TL	HNS10000TL
Max. DC Power (W)	9800	11200	12600	14000
Max. DC Voltage (V)	600			
MPPT Voltage Range (V)	70-550			
MPPT Full Power Voltage Range (V)	220-550			
Rated Input Voltage (V)	360			
Start-up Voltage (V)	70			
Max. Input Current (A)	14+26		26+26	
Max. Short Current (A)	18+35		35+35	
No. of MPP Tracker / No. of PV String	2/3		2/4	
Input Connector Type	MC4			

AC Output Data	HNS7000TL	HNS8000TL	HNS9000TL	HNS10000TL
Max. Output Power (W)	7700	8800	9900	11000
Nominal Output Power (W)	7000	8000	9000	10000
Max. Output Current (A)	33.6	38.3	45	50
Nominal Output Voltage (V)	L/N/PE, 220Vac, 230Vac, 240Vac			
Grid Voltage Range	180Vac-276Vac (According to local standard)			
Nominal Output Frequency (Hz)	50/60			
Grid Frequency Range	45-55Hz/54-66Hz (According to local standard)			
Output Power Factor	1 default (adjustable from 0.8 leading to 0.8 lagging)			
Output Current THD	<3%			

Efficiency	HNS7000TL	HNS8000TL	HNS9000TL	HNS10000TL
Max. Efficiency	98.20%	98.20%	98.32%	98.40%
Euro Efficiency	97.95%	98.00%	98.00%	98.10%

Protection	HNS7000TL	HNS8000TL	HNS9000TL	HNS10000TL
PV Reverse Polarity Protection	YES			
PV Insulation Resistance Detection	YES			
AC Short Circuit Protection	YES			
AC Over Current Protection	YES			
AC Over Voltage Protection	YES			
Anti-Islanding Protection	YES			
Residual Current Detection	YES			
Over Temperature Protection	YES			
Integrated DC switch	YES			
Surge Protection	Integrated (Type III)			
Smart IV Curve Scanning	YES			
Quick Arc Fault Circuit Interruption	Optional			

General Data	HNS7000TL	HNS8000TL	HNS9000TL	HNS10000TL
Dimensions (H x W x D, mm)	510 x 370 x 167			
Weight (kg)	17		19	
Protection Degree	IP65			
Enclosure Material	Aluminum			
Ambient Temperature Range (°C)	-25 to 60			
Humidity Range	0-100%			
Topology	Transformerless			
Communication Interface	RS485 / WiFi / Wire Ethernet / GPRS (optional)			
Cooling Concept	Convection			
Noise Emission (db)	<40			
Night Power Consumption (W)	<1			
Max. Operation Altitude (m)	4000			

Certifications and Standards	HNS7000TL	HNS8000TL	HNS9000TL	HNS10000TL
EMC Standard	EN/IEC 61000-6-2, EN/IEC 61000-6-3, EN61000-3-2, EN61000-3-3, EN61000-3-11, EN61000-3-12			
Safety Standard	IEC 60068, UL1741, EN62109			
Grid-connection	IEEE1547, CSA C22, EN50549, VDE4105, VDE0126, RD1699, ABNT NBR16149 & 16150, AS4777.2, NB/T32004, G98/G99, IEC61727			

Commercial & Power Plants BNT series

BNT

3-25 kW

ATON

Series

Smart | Safety | Efficient



The Afore BNT Series Three-phase string inverters are designed for residential and small commercial PV system applications, rating from 3kW to 25kW. All models have unibody housings with aluminum structure which is anodized, increasing durability and effectively prevents corrosion. Equipped with external inductors, the unibody housings can ensure efficient heat dissipation, which significantly improves the reliability and extends the life of the inverters.

Communication implements are via the Wi-Fi module (can be changed to Ethernet / GPRS). Check the system status anytime and anywhere via online portal or APP.

-  Quick Arc Fault circuit interruption (Optional)
-  WIFI standard
-  Compact design
-  Multiple intelligent protections
-  Compatible with bifacial modules
-  String level monitoring



MPPT Range
Wide MPPT Range



PV OVERSIZE
1.5 Times PV Oversize



DC 1100V
Max. DC 1100V



UNIBODY
One-piece
Aluminum Housing



PROTECTION
Build-in SPD Type II



SMART
Smart IV Curve Scanning



UPDATE
Remote Firmware Update

PV Input Data	BNT003KTL	BNT004KTL	BNT005KTL	BNT006KTL	BNT008KTL	BNT010KTL
Max. DC Power (W)	5100	6000	7500	9000	12000	15000
Max. DC Voltage (V)	1100					
MPPT Voltage Range (V)	150 - 1000					
MPPT Full Power Voltage Range (V)	200 - 850		250 - 850		300 - 850	500 - 850
Rated Input Voltage (V)	620					
Start-up Voltage (V)	150					
Max. Input Current (A)	15 x 2					
Max. Short Current (A)	25 x 2					
No. of MPP Tracker / No. of PV String	2/2					
Input Connector Type	MC4					

AC Output Data	BNT003KTL	BNT004KTL	BNT005KTL	BNT006KTL	BNT008KTL	BNT010KTL
Max. Output Power (W)	3300	4400	5500	6600	8800	11000
Nominal Output Power (W)	3000	4000	5000	6000	8000	10000
Max. Output Current (A)	5.3	7	8.5	10.5	13.5	17
Nominal Output Voltage (V)	3P+N+PE /3P+PE 230/400					
Grid Voltage Range	260Vac-519Vac (according to local standard)					
Nominal Output Frequency (Hz)	50/60					
Grid Frequency Range	45-55Hz/55-65Hz(according to local standard)					
Output Power Factor	1 default (adjustable from 0.8 leading to 0.8 lagging)					
Output Current THD	<3%					

Efficiency	BNT003KTL	BNT004KTL	BNT005KTL	BNT006KTL	BNT008KTL	BNT010KTL
Max. Efficiency	98.30%					98.70%
Euro Efficiency	97.61%	97.65%	98.00%	98.05%		98.23%

Protection	BNT003KTL	BNT004KTL	BNT005KTL	BNT006KTL	BNT008KTL	BNT010KTL
PV Reverse Polarity Protection	YES					
PV Insulation Resistance Detection	YES					
AC Short Circuit Protection	YES					
AC Over Current Protection	YES					
AC Over Voltage Protection	YES					
Anti-Islanding Protection	YES					
Residual Current Detection	YES					
Over Temperature Protection	YES					
Integrated DC switch	YES					
Surge Protection	Integrated (Type II)					
Smart IV Curve Scanning	YES					
Quick Arc Fault Circuit Interruption	Optional					

General Data	BNT003KTL	BNT004KTL	BNT005KTL	BNT006KTL	BNT008KTL	BNT010KTL
Dimensions (H x W x D, mm)	510 x 370 x 167			510 x 370 x 192		
Weight (kg)	16			15		
Protection Degree	IP65					
Enclosure Material	Aluminum					
Ambient Temperature Range (°C)	-25 to 60					
Humidity Range	0 -100%					
Topology	Transformerless					
Communication Interface	RS485 / WiFi / Wire Ethernet / GPRS (optional)					
Cooling Concept	Convection			Intelligent fan cooling		
Noise Emission (db)	<30					
Night Power Consumption (W)	<1					
Max. Operation Altitude (m)	≤4000					

Certifications and Standards	BNT003KTL	BNT004KTL	BNT005KTL	BNT006KTL	BNT008KTL	BNT010KTL
EMC Standard	EN/IEC 61000-6-2, EN/IEC 61000-6-3, EN61000-3-2, EN61000-3-3, EN61000-3-11, EN61000-3-12					
Safety Standard	IEC 60068, UL1741, EN62109					
Grid-connection	IEEE1547, CSA C22, EN50549, VDE4105, VDE0126, RD1699, ABNT NBR16149 & 16150, AS4777.2, NB/T32004, G98/G99, IEC61727					

PV Input Data	BNT012KTL	BNT013KTL	BNT015KTL	BNT017KTL	BNT020KTL	BNT025KTL
Max. DC Power (W)	18000	19500	22500	25500	30000	37500
Max. DC Voltage (V)	1100					
MPPT Voltage Range (V)	150 - 1000					
MPPT Full Power Voltage Range (V)	500 - 850					
Rated Input Voltage (V)	620					
Start-up Voltage (V)	150					
Max. Input Current (A)	15 x 2		20 + 32		32 x 2	
Max. Short Current (A)	25 x 2		30 + 48		48 x 2	
No. of MPP Tracker / No. of PV String	2/2		2/3		2/4	
Input Connector Type	MC4					

AC Output Data	BNT012KTL	BNT013KTL	BNT015KTL	BNT017KTL	BNT020KTL	BNT025KTL
Max. Output Power (W)	13200	14300	16500	18700	22000	27500
Nominal Output Power (W)	12000	13000	15000	17000	20000	25000
Max. Output Current (A)	21.5	22	27	30	32	40
Nominal Output Voltage (V)	3P+N+PE /3P+PE 230/400					
Grid Voltage Range	260Vac-519Vac (according to local standard)					
Nominal Output Frequency (Hz)	50/60					
Grid Frequency Range	45-55Hz/55-65Hz(according to local standard)					
Output Power Factor	1 default (adjustable from 0.8 leading to 0.8 lagging)					
Output Current THD	<3%					

Efficiency	BNT012KTL	BNT013KTL	BNT015KTL	BNT017KTL	BNT020KTL	BNT025KTL
Max. Efficiency	98.70%			98.75%		
Euro Efficiency	98.23%			98.35%		

Protection	BNT012KTL	BNT013KTL	BNT015KTL	BNT017KTL	BNT020KTL	BNT025KTL
PV Reverse Polarity Protection	YES					
PV Insulation Resistance Detection	YES					
AC Short Circuit Protection	YES					
AC Over Current Protection	YES					
AC Over Voltage Protection	YES					
Anti-Islanding Protection	YES					
Residual Current Detection	YES					
Over Temperature Protection	YES					
Integrated DC switch	YES					
Surge Protection	Integrated (Type II)					
Smart IV Curve Scanning	YES					
Quick Arc Fault Circuit Interruption	Optional					

General Data	BNT012KTL	BNT013KTL	BNT015KTL	BNT017KTL	BNT020KTL	BNT025KTL
Dimensions (H x W x D, mm)	510 x 370 x 192			535 x 370 x 192		
Weight (kg)	15	17		19		
Protection Degree	IP65					
Enclosure Material	Aluminum					
Ambient Temperature Range (°C)	-25 to 60					
Humidity Range	0 -100%					
Topology	Transformerless					
Communication Interface	RS485 / WiFi / Wire Ethernet / GPRS (optional)					
Cooling Concept	Intelligent fan cooling					
Noise Emission (db)	<40					<51
Night Power Consumption (W)	<1					
Max. Operation Altitude (m)	≤4000					

Certifications and Standards	BNT012KTL	BNT013KTL	BNT015KTL	BNT017KTL	BNT020KTL	BNT025KTL
EMC Standard	EN/IEC 61000-6-2, EN/IEC 61000-6-3, EN61000-3-2, EN61000-3-3, EN61000-3-11, EN61000-3-12					
Safety Standard	IEC 60068, UL1741, EN62109					
Grid-connection	IEEE1547, CSA C22, EN50549, VDE4105, VDE0126, RD1699, ABNT NBR16149 & 16150, AS4777.2, NB/T32004, G98/G99, IEC61727					

Commercial & Power Plants BNT series

BNT

30-60 kW



The Afore BNT Series Three-phase string inverters are designed for commercial and power plant PV system applications, rating from 30kW to 60kW. All models with aluminum housings which is anodized, increasing durability and effectively prevents corrosion. Equipped with external inductors, ensure efficient heat dissipation, which significantly improves the reliability and extends the life of the inverters.

The inverter menu is activated by sensor touch buttons. Communication implements are via the Wi-Fi module (can be changed to Ethernet / GPRS). Check the system status anytime and anywhere via online portal or APP.

Max.
20A

MAX. 20Adc
String Current Up To 20A

Max.
1.5

PV OVERSIZE
Max. 1.5 Time
PV Oversize Input



PROTECTION
Multiple Intelligent
Protections



ANTI-FLOW
Anti-Feed-in Function



Wi-Fi
Wi-Fi Standard,
Ethernet/GPRS Optional



CONFIGURATION
Quick & Easy
Config. via Wi-Fi



MODBUS
MODBUS
Communication Ready

MPPT efficiency > 99.9%



Intelligent Temperature Control System



Active and reactive power compensation, adjust power factor



IP 68 Cooling Fan



Type II DC & AC lightning protection



AC output 1.1x continuous operation

PV Input Data	BNT030KTL	BNT036KTL	BNT040KTL	BNT050KTL	BNT060KTL
Max. DC Power (W)	45000	54000	60000	75000	90000
Max. DC Voltage (V)	1100				
MPPT Voltage Range (V)	200 - 1000				
MPPT Full Power Voltage Range (V)	500 - 850				
Rated Input Voltage (V)	620				
Start-up Voltage (V)	200				
Max. Input Current (A)	38 x 3			40 x 3	38 x 4
Max. Short Current (A)	48 x 3			48 x 3	48 x 4
No. of MPP Tracker / No. of PV String	3/6			3/7	4/8
Input Connector Type	MC4				
AC Output Data	BNT030KTL	BNT036KTL	BNT040KTL	BNT050KTL	BNT060KTL
Max. Output Power (W)	33000	39600	44000	55000	66000
Nominal Output Power (W)	30000	36000	40000	50000	60000
Max. Output Current (A)	48	60	65	80	96
Nominal Output Voltage (V)	3P+N+PE / 3P+PE 230/400				
Grid Voltage Range	260Vac-519Vac (according to local standard)				
Nominal Output Frequency (Hz)	50/60				
Grid Frequency Range	45-55Hz/55-65Hz (according to local standard)				
Output Power Factor	1 default (adjustable from 0.8 leading to 0.8 lagging)				
Output Current THD	<3%				
Efficiency	BNT030KTL	BNT036KTL	BNT040KTL	BNT050KTL	BNT060KTL
Max. Efficiency	98.50%	98.65%	98.65%	98.80%	99.00%
Euro Efficiency	98.10%	98.20%	98.25%	98.45%	98.50%
Protection	BNT030KTL	BNT036KTL	BNT040KTL	BNT050KTL	BNT060KTL
PV Reverse Polarity Protection				YES	
PV Insulation Resistance Detection				YES	
AC Short Circuit Protection				YES	
AC Over Current Protection				YES	
AC Over Voltage Protection				YES	
Anti-Islanding Protection				YES	
Residual Current Detection				YES	
Over Temperature Protection				YES	
Integrated DC switch				YES	
Surge Protection	Integrated (Type II)				
Smart IV Curve Scanning				YES	
Quick Arc Fault Circuit Interruption	Optional				
General Data	BNT030KTL	BNT036KTL	BNT040KTL	BNT050KTL	BNT060KTL
Dimensions (H x W x D, mm)	712 x 427 x 232				
Weight (kg)	42		43	45	51
Protection Degree	IP65				
Enclosure Material	Aluminum				
Ambient Temperature Range (°C)	-25 to 60				
Humidity Range	0 - 100%				
Topology	Transformerless				
Communication Interface	RS485 / WiFi / Wire Ethernet / GPRS (optional)				
Cooling Concept	Intelligent Fan Cooling				
Noise Emission (db)	<51			<55	
Night Power Consumption (W)	<1				
Max. Operation Altitude (m)	≤4000				
Certifications and Standards	BNT030KTL	BNT036KTL	BNT040KTL	BNT050KTL	BNT060KTL
EMC Standard	EN/IEC 61000-6-2, EN/IEC 61000-6-3, EN61000-3-2, EN61000-3-3, EN61000-3-11, EN61000-3-12				
Safety Standard	IEC 60068, UL1741, EN62109				
Grid-connection	IEEE1547, CSA C22, EN50549, VDE4105, VDE0126, RD1699, ABNT NBR16149 & 16150, AS4777.2, NB/T32004, G98/G99, IEC61727				

Monitoring Device & Solution



Failure alarm



PV sytem
information push



Multiple systems
in one account



Cloud data
synchronization



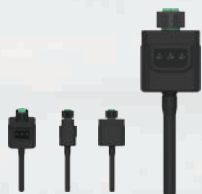
PC browser
Android and IOS



Real-time/ Historical
data monitoring and
analysis



System Income
Calculation



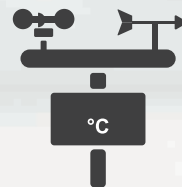
Wi-Fi / Ethernet / GPRS Data Sticker



Power Plant Data Logger



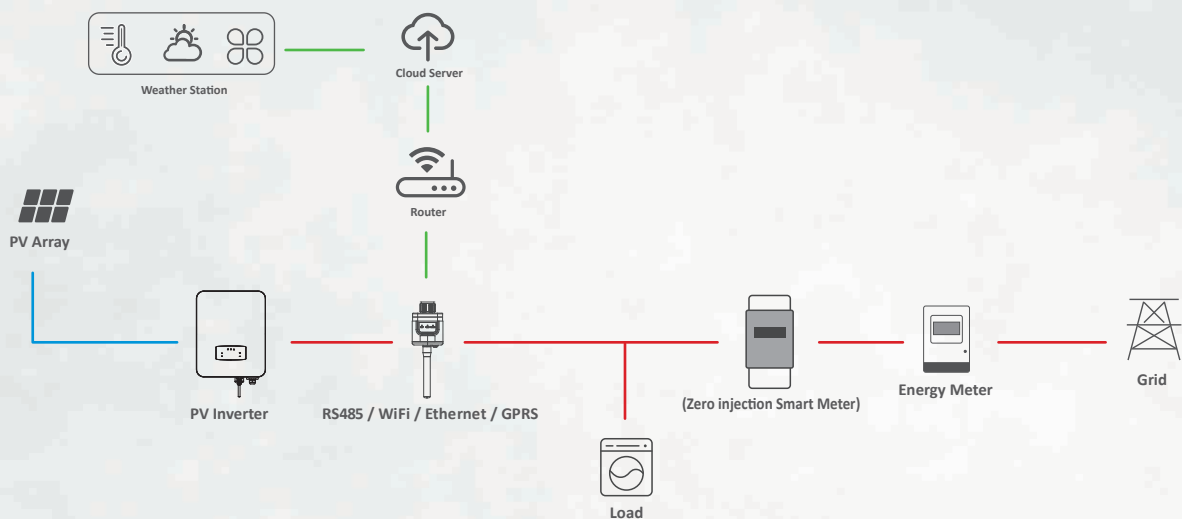
Zero injection Smart Meter(optional)



Weather Station

PV System Monitoring Solution

Single Inverter Monitoring Solution



Multiply Inverters Monitoring Solution

